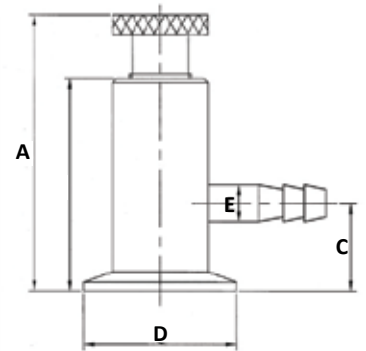
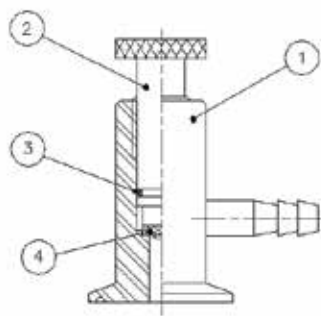


Sanitary Line **CS2 Type**

Features

- Sampling valve sanitary line
- Clamp ends in inches (**BS 4825-3**)
- Made by **AISI 316L**
- Silicone seat
- Easy cleaning and assembly
- Sanitary Polish **Ra≤0.8 μm**
- Max. Working pressure **10kg/cm2**
- Max. Working Temperature **120°C**



N°	NAME	MATERIAL	SURFACE TREATMENT
1	Body	Stainless Steel AISI 316L	Mechanical Polish
2	Stem	Stainless Steel AISI 316L	Mechanical Polish
3	O' ring	Silicone	—
4	Seat	PTFE	—

General Dimensions

DIMENSIONS (mm)

ORDERING CODE	SIZE	A	B	C	D	E
V025CS2-5008-A54	1.0"	91.5	70	50.5	29	12
V025CS2-5008-A54	3/4"	91.5	70	25.2	29	12